

Diaphragm Seal Type Pressure Gauge

Model No. **SS-3032/5 Series**

KINS



SS-3032

Summary

This gauge is designed to guarantee the performance and the life span when measuring pressure in chemical industry even when measuring fluid is mixed with powder which has coagulation or with strong corrosiveness.

Safety Management

- Be sure to install a protecting device where exist abrupt change of pressure, vibration and pulsation.
- Do not give impact during the transportation, installation and usage.
- Be sure to install pressure gauge to be horizontal and vertical.

Purpose of Use

- Corrosive fluid such as petrochemistry, etc.
- Fluid which is mixed with dust and solid matter in the plant of cement, papers, etc.
- High temperature, high viscosity fluid, special fluid line for industrial use, etc.

Production Specification

- ▶ Diameter
 - 100 mm
- ▶ Accuracy
 - $\pm 1.0\%$ of Full Scale
- ▶ Scale Range
 - $-0.1 \text{ MPa} \sim 0, -0.1 \text{ MPa} \sim 2 \text{ MPa},$
 - $0 \sim 10 \text{ MPa}$
 - ($\times 1 \text{ MPa} = 10,19716 \text{ kgf/cm}^2$)
- ▶ Working Pressure
 - Static pressure : 75% of Full Scale
 - Fluctuating pressure : 60% of Full Scale
- ▶ Working Temperature
 - Ambient : $-20 \sim 65 \text{ }^\circ\text{C}$
 - Fluid : $-20 \sim 80 \text{ }^\circ\text{C}$

Product Specification

+ Case & Cover
· STS 304

+ Upper Flange
· STS 304, STS 316

+ Under Flange
· STS 304, STS 316

+ Window
· Tempered safety glass,
Laminated safety glass

+ Type
· SS-3032-Type (Direct - flange)
· SS-3035-Type (Flexible - flange)

+ Pointer
· Aluminum
· Black coating

+ Dial
· Aluminum
· White color coating
· Black gradation and characters

+ Movement
· STS 304

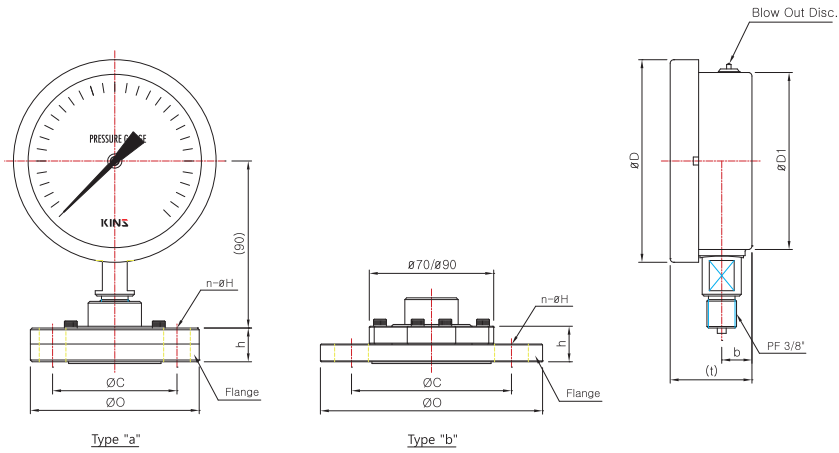
+ Element
· STS 304, STS 316
· C type bourdon tube

+ Diaphragm
· STS 304, STS 316
· Teflon(Lining, Coating), Titanium
· Able to produce teflon(lining, coating)titanium, tantalum, hastelloy, etc

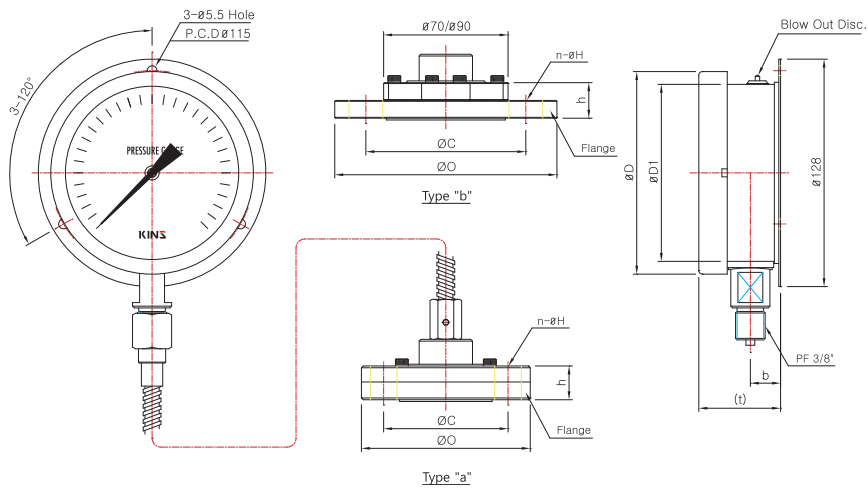
Diaphragm Seal Type Pressure Gauge

Model No. **SS-3032/5 Series**

Model No. | SS-3032 (100mm) A-Type (Rimless type), Direct Type



Model No. | SS-3035 (100mm) B-Type (Surface type), Remote Type



Dimensions (mm)

Model No.	ØD	ØD1	b	t	JIS 10kgf/cm ² (Type)	ØO	ØC	n-ØH	h	ANSI CLASS #150(Type)	ØO	ØC	n-ØH	h
SS-3032 & SS-3035	114	100	17	(46)	15A (Type "a")	95	70	4-Ø15	22	1/2B (Type "a")	89	60.3	4-Ø16	21.5
					20A (Type "b")	100	75	4-Ø15	24	3/4B (Type "a")	98	69.9	4-Ø16	23.0
					25A (Type "b")	125	90	4-Ø19	24	1B (Type "b")	108	79.4	4-Ø16	24.5
					32A (Type "b")	135	100	4-Ø19	26	1 1/4B (Type "b")	117	88.9	4-Ø16	26.0
					40A (Type "b")	140	105	4-Ø19	26	1 1/2B (Type "b")	127	98.4	4-Ø16	27.5
50A (Type "b")	155	120	4-Ø19	26	2B (Type "b")	152	120.6	4-Ø19	29.5					

*()The measurement in the blanket is approximate.